

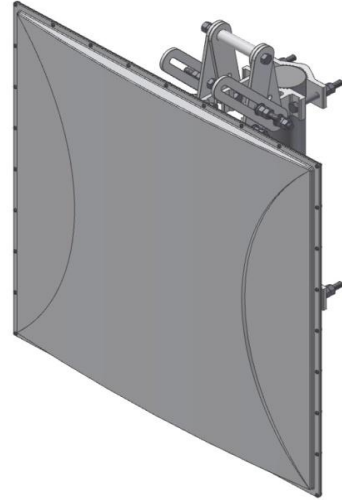
800MHz ICS Service Antenna

824 ~ 894 MHz / 13 dBi

CELL-FBI-13

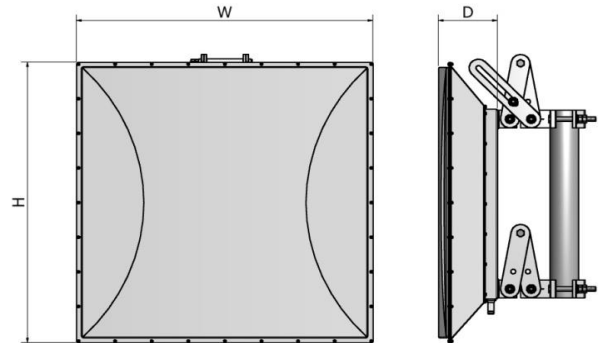
i. Electrical Specification

Frequency Range	824 ~ 894 MHz	
Polarization	Vertical	
Band Width	70 MHz	
Gain	≥ 13 dBi	
Beam width	Horizontal	≥ 33° ± 5°
	Vertical	≥ 33° ± 5°
F-B ratio	Horizontal	≥ 33 dB (@180 ± 30°)
	Vertical	≥ 33 dB (@180 ± 90°)
Sidelobe	≥ 30 Db	
VSWR	1 : 1.5	
Impedance	50 Ω	
Maximum input power	50 W	

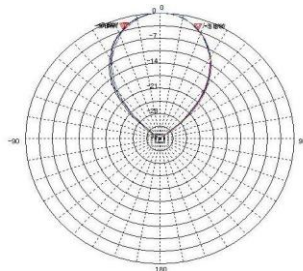


ii. Mechanical Specification

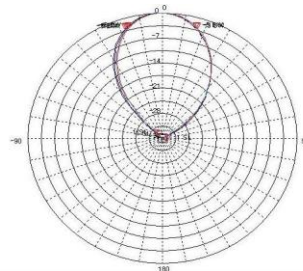
Radom Dimension (H x W x D)	791 x 778 x 155 mm
Weight (Exclude bracket)	≤ 13 kg
Connector Type	N – Female
Withstand Wind Pressure	80 m/sec
Radome Material	F.R.P
Radome Color	Gray
Mechanical Down Tilt	20°
Temperature	-40 °C ~ 70 °C
Packing Size (H x W x D) SET	-
Packing Weight SET	-



iii. Radiation Pattern



Horizontal Pattern



Vertical Pattern